

Under Counter Refrigerator and Freezer

H200WH

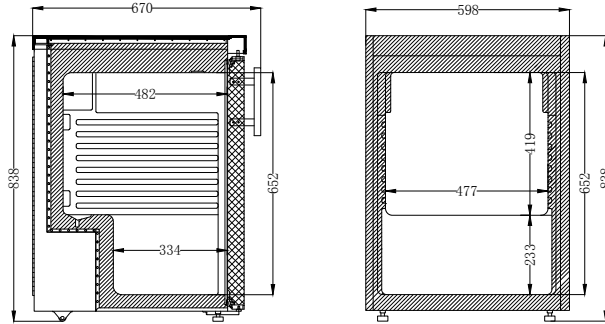


FEATURES - REFRIGERATOR

- White laminated (WH) or stainless steel exterior (SS)
- Foodsafe ABS Interior
- Reversible door
- Lock fitted as standard
- 2 adjustable shelves
- Replaceable door gasket

TECHNICAL SPECIFICATIONS

- Cooling: Fan assisted
- Controller: Dixell Blue Line controller
- Defrost: Automatic
- Refrigerant: R600a
- Climate Class: 4
- Temperature Range: +2°C ~ +8°C
- Power Supply: 13amp



L200SS

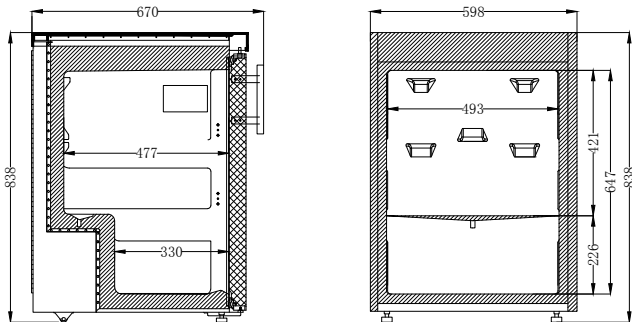


FEATURES - FREEZER

- White laminated (WH) or stainless steel exterior (SS)
- Foodsafe ABS Interior
- Reversible door
- Lock fitted as standard
- 2 fixed shelves
- Replaceable door gasket

TECHNICAL SPECIFICATIONS

- Cooling: Static
- Controller: Dixell Blue Line controller
- Defrost: Manual
- Refrigerant: R600a
- Climate Class: 4
- Temperature Range: -18°C ~ -23°C
- Power Supply: 13amp



BLIZZARD

MODEL	TEMPERATURE RANGE	GROSS CAPACITY	EXT. DIMENSIONS (H x W x D mm)	ENERGY RATING	POWER CONSUMPTION	KWH /ANNUM	DECIBELS	WEIGHT (kg)	RRP
H200WH	+2°C ~ +8°C	170L	838 x 598 x 670*	B	125W	536	40dBA	44	
H200SS	+2°C ~ +8°C	170L	838 x 598 x 670*	B	125W	536	40dBA	44	
L200WH	-18°C ~ -23°C	170L	838 x 598 x 670*	-	170W	-	40dBA	43	
L200SS	-18°C ~ -23°C	170L	838 x 598 x 670*	-	170W	-	40dBA	44	

* includes handle

